

The core of the door leaf is a high-density rock wool of 150 kg/m<sup>3</sup> and calcium silicate of 870 kg/m<sup>3</sup>, reinforced with a frame of galvanized sheet of 1,5 mm thickness and above this a decorative sheet of 1 mm thickness is fitted. The finishing can be painted or low flame spread PVC film. Around the leaf, a stainless-steel edge trim is assembled. The total thickness of the door is 62 mm.

The frame is a 'Z' shaped 4 mm steel sheet, and can be finished in stainless steel or lacquered.

According to leaf size, the door can have three or four NAVALIBER L-shaped hinges, made of stainless steel as well as the rest of the hardware (handles, locks, escutcheons...)

The NA-30 door offers the following optional features:

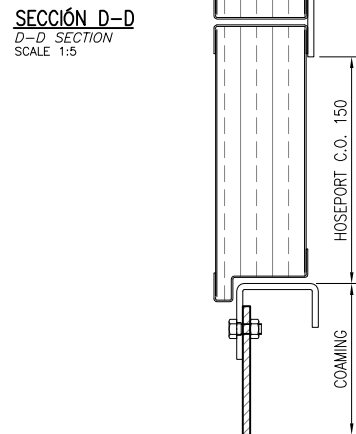
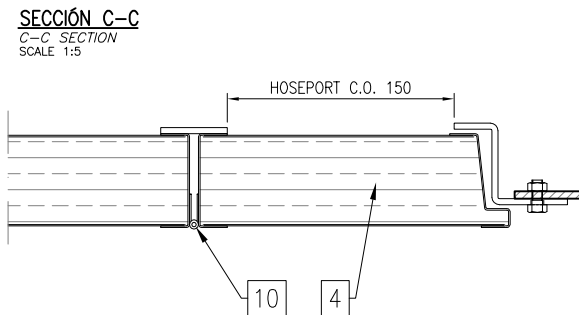
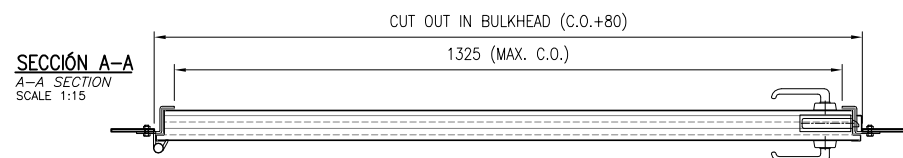
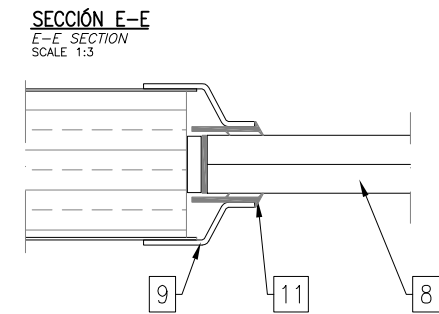
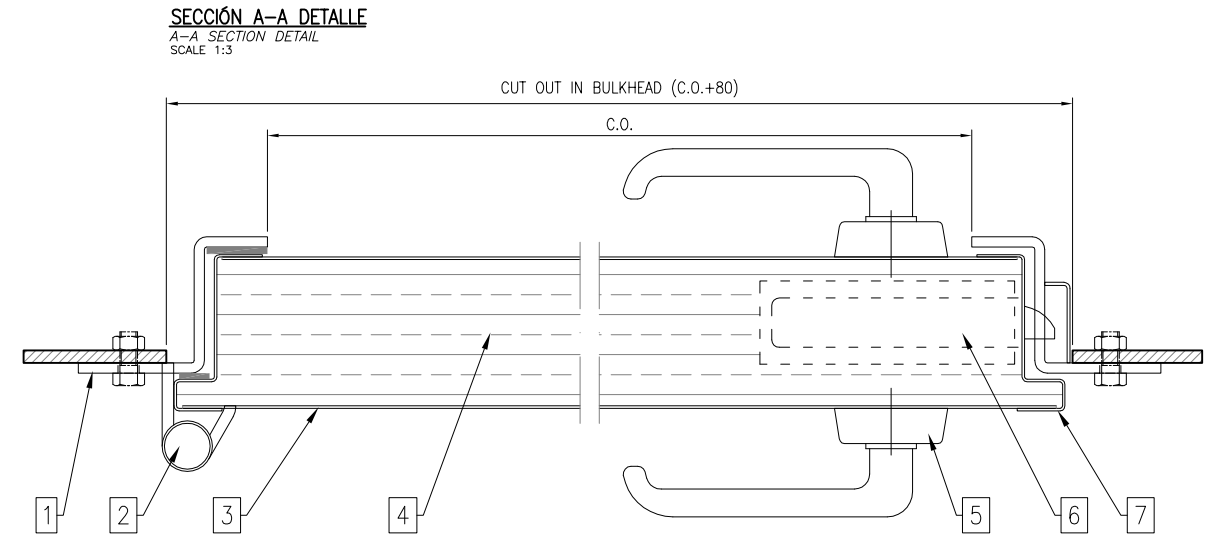
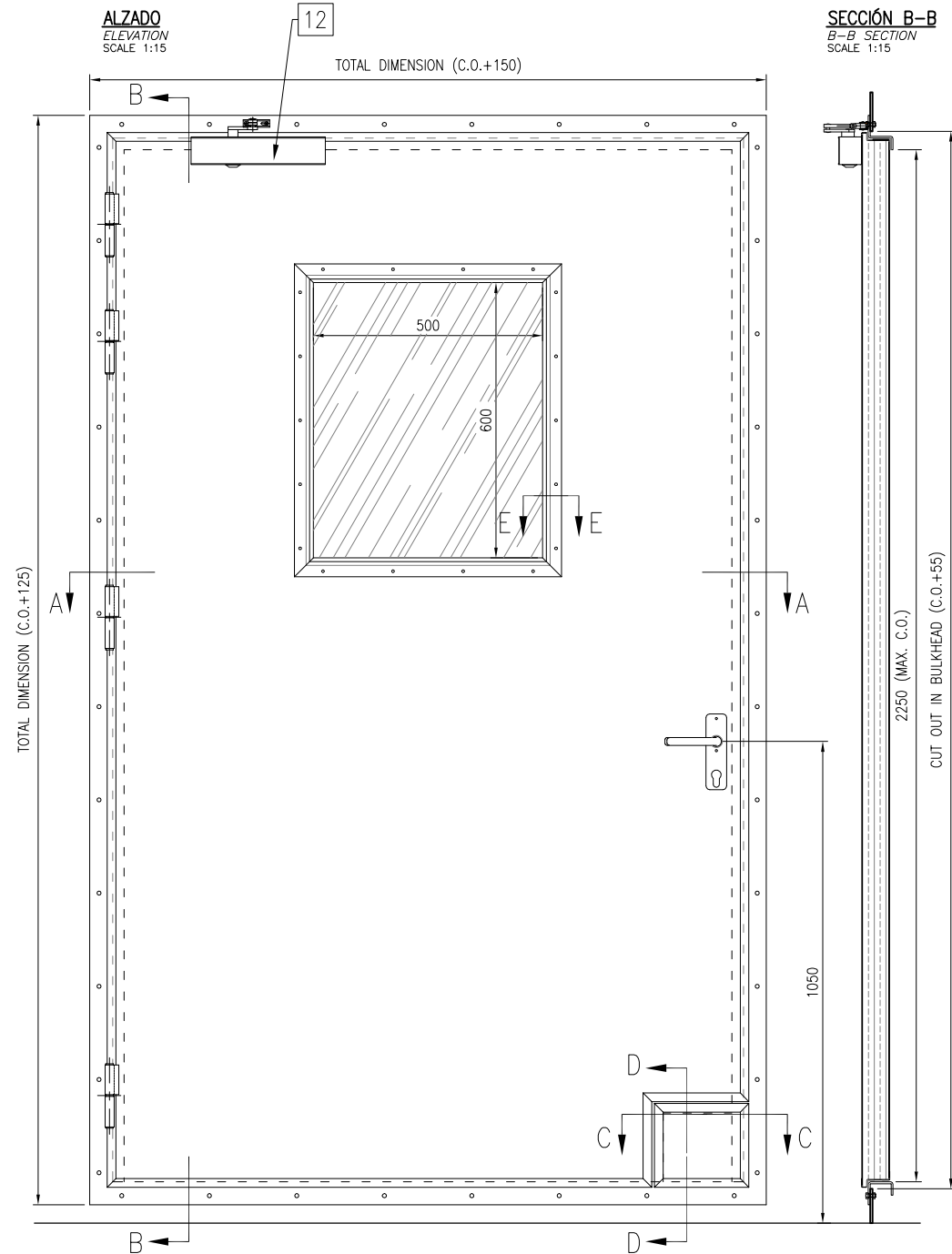
- Window or porthole
- Fire hose port

The door is available both to be welded or to be bolted to the steel bulkhead.

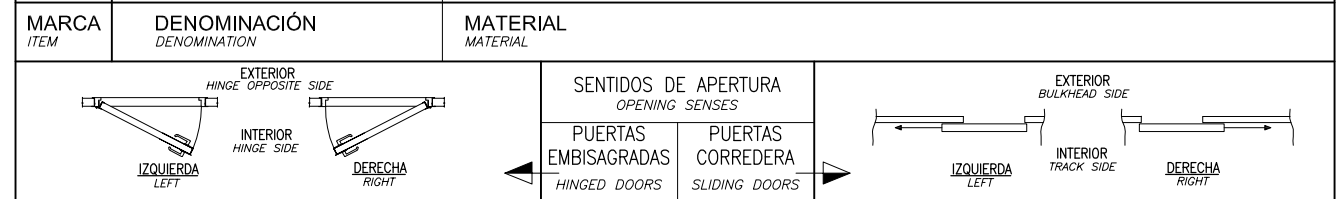


TECHNICAL FEATURES	NA-30
Door frame	4 mm
Door leaf frame	1,5 mm
Linings	1 mm
Finishing	150 µm PVC film / stainless steel / RAL
Insulation	rock wool + calcium silicate
Max. vertical clear opening	2250 mm
Max. horizontal clear opening	1325 mm

OTHER FEATURES	NA-30
Thickness	62 mm
Weight	48 kg/m <sup>2</sup>
Classification	A-30



12	AUTOCIERRE	SELF CLOSING DEVICE	OPCIONAL, MODELO SEGÚN OBRA	OPTIONAL, MODEL AS PER CLIENT REQUIREMENTS
11	FRISA	SEAL		
10	BISAGRA PORTILLO	HOSEPORT HINGE	LIBRILLO AC. INOXIDABLE	ST. STEEL
9	VENTANA	VISION PANEL	LUZ MÁXIMA 600x500	600x500 MAX. C.O.
8	CRISTAL	GLASS	CRISTAL RESISTENCIA AL FUEGO	FIRE RESISTANT GLASS
7	CANTONERA	EDGE TRIM	CHAPA ACERO ACABADO SEGÚN OBRA	STEEL PLATE FINISHED AS PER CLIENT REQUIREMENTS
6	CERRADURA	LOCK	SEGÚN OBRA	AS PER CLIENT REQUIREMENTS
5	ESCUDO Y MANILLA	HANDLE AND PLATE	SEGÚN OBRA	AS PER CLIENT REQUIREMENTS
4	AISLAMIENTO	INSULATION	AISLAMIENTO, LANA DE ROCA Y SILICATOS	INSULATION, ROCKWOOL & SILICATUM
3	CARA DECORATIVA	LININGS	CHAPA ACERO ACABADO SEGÚN OBRA	STEEL PLATE FINISHED AS PER CLIENT REQUIREMENTS
2	BISAGRA	HINGE	CLASE "A" AC. INOXIDABLE	"A" CLASS ST. STEEL HINGE
1	MARCO	FRAME	CHAPA ACERO 4mm ACABADO SEGÚN OBRA PARA SOLDAR O ATORNILLAR	4mm THICKNESS STEEL PLATE FINISHED AS PER CLIENT REQUIREMENTS TO BE BOLTED OR WELDED



CARACTERÍSTICAS FEATURES		DENOMINACIÓN DENOMINATION		<p><b>NAVALIBER</b> Urban living at sea</p>	
Peso (kg.): Weight:		PLANO GENERAL GENERIC DRAWING			
Material: SEGÚN E. T. y L. M. AS TECHNICAL SPEC. & MATERIAL LIST		GENERAL <b>PUERTA NAVALIBER NA-30</b> <b>CLASIFICACIÓN AL FUEGO A-30</b> NAVALIBER NA-30 A-30 CLASSIFIED FIRE RETARDING DOOR		PLANO Nº DRAW Nº <b>NA-30 DOOR</b>	
Tratamiento: SEGÚN E. T. y L. M. AS TECHNICAL SPEC. & MATERIAL LIST		Acabado: SEGÚN E. T. y L. M. AS TECHNICAL SPEC. & MATERIAL LIST		Revisión : - Fecha : - Revision : - Date : -	
Archivo File NAVALIBER NA-30 DOOR.dwg		Dibujado Draw J. M. G.	Comprobado Verified E. V. P.	Aprobado Approved G. G. M.	Dibujado Draw date 28/09/17
		Escala Scale 1:15		HOJA SHEET 1 DE OF 1	